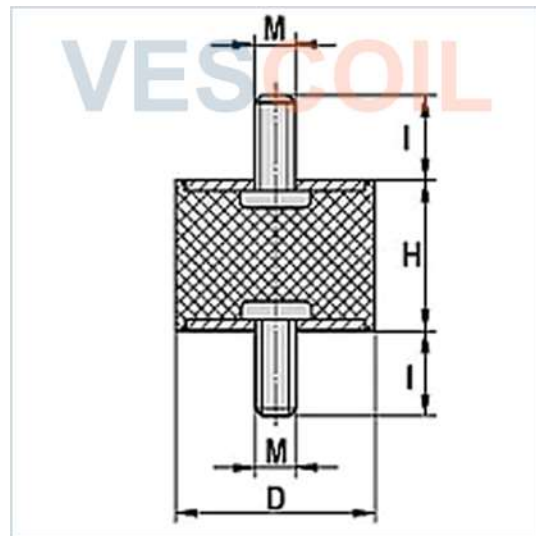


Vibration Dampers Cylindrical Damper Type A

Fig. 9311 | VIBRATION DAMPER RUBBER METAL TYPE A – CYLINDRICAL – NR – 55 TO 85
SHORE – D 6MM TO 200MM – H 5MM TO 100MM – M3 TO M24



DOCUMENTATION

Fig:	9311
Norm:	ISO
Standard:	ISO 3302-1 (Rubber)
Type:	Type A - Cylindrical Rubber -Metal
Diameter (D):	6 mm to 200 mm
Height (H):	5 mm to 100 mm
Thread (M):	M3 to M24
Thread length (l):	6 mm to 45 mm
Hardness rubber (Shore):	55 ±5% other on request
Material rubber:	NR (Para) Natural Rubber
Material steel:	St-37 Galvanized Steel or Stainless Steel AISI 304 (A2)
Temperature:	-30°C to +80°C
Markets:	Maritime / Offshore / Industry / Energy / Petrochemical
Used in:	Engines / Compressors / Fans / Pumps / Switch boxes

Available on request:

Different Shore
 Rubber in SBR, NBR, CR, SI or EPDM
 Different thread lengths
 Metal parts in stainless steel

The target values mentioned in the table above are based on a static load. At (high) dynamic and variable load or high vibration frequencies, a reduction of the maximum values must be taken into account.

D=diameter, H=height, l=length of thread, M=thread size, Mat. A=type of rubber, Mat. B=Material metal components, Shore A °=Shore-A hardness of the rubber

MAIN DIMENSIONS

ARTICLE	TYPE	D	H	l	M	SHORE A °	Material A	Material B
93110001	A	6	7	6	M 3	55 ±5	NR	St37
93110002	A	8	8	6	M 3	55 ±5	NR	St37
93110003	A	10	8	10	M 4	55 ±5	NR	St37
93110004	A	10	10	6	M 3	55 ±5	NR	St37
93110005	A	10	10	10	M 4	55 ±5	NR	St37
93110006	A	10	15	10	M 4	55 ±5	NR	St37
93110007	A	10	15	8	M 5	55 ±5	NR	St37
93110008	A	11	11	10	M 4	55 ±5	NR	St37
93110009	A	15	8	10	M 4	55 ±5	NR	St37
93110010	A	15	8	10	M 6	55 ±5	NR	St37
93110011	A	15	10	10	M 4	55 ±5	NR	St37
93110012	A	15	15	13	M 4	55 ±5	NR	St37
93110013	A	15	15	12	M 5	55 ±5	NR	St37
93110014	A	15	15	13	M 5	55 ±5	NR	St37
93110015	A	15	30	13	M 4	55 ±5	NR	St37
93110016	A	20	8	18	M 6	55 ±5	NR	St37
93110017	A	20	10	18	M 6	55 ±5	NR	St37
93110018	A	20	15	13	M 5	55 ±5	NR	St37
93110019	A	20	15	10	M 6	55 ±5	NR	St37
93110020	A	20	15	18	M 6	55 ±5	NR	St37
93110021	A	20	15	18	M 6	55 ±5	NR	A/2
93110022	A	20	20	18	M 6	55 ±5	NR	St37
93110023	A	20	25	18	M 6	55 ±5	NR	St37

ARTICLE	TYPE	D	H	I	M	SHORE A °	Material A	Material B
93110024	A	25	10	12	M 6	55 ±5	NR	St37
93110025	A	25	10	18	M 6	55 ±5	NR	St37
93110026	A	25	10	20	M 8	55 ±5	NR	St37
93110027	A	25	15	18	M 6	55 ±5	NR	St37
93110028	A	25	20	18	M 6	55 ±5	NR	St37
93110029	A	25	20	23	M 8	55 ±5	NR	St37
93110030	A	25	25	15	M 6	55 ±5	NR	A/2
93110031	A	25	25	18	M 6	55 ±5	NR	St37
93110032	A	25	30	10	M 6	55 ±5	NR	St37
93110033	A	25	30	18	M 6	55 ±5	NR	St37
93110034	A	30	15	15	M 8	55 ±5	NR	St37
93110035	A	30	15	20	M 8	55 ±5	NR	St37
93110036	A	30	17	13	M 8	55 ±5	NR	St37
93110037	A	30	17	20	M 8	55 ±5	NR	St37
93110038	A	30	20	20	M 6	75 ±5	NR	St37
93110039	A	30	20	20	M 8	55 ±5	NR	St37
93110040	A	30	20	20	M 8	55 ±5	NR	A/2
93110041	A	30	25	20	M 8	55 ±5	NR	St37
93110042	A	30	30	20	M 8	55 ±5	NR	St37
93110043	A	30	30	20	M 8	55 ±5	NR	A/2
93110044	A	30	40	20	M 8	55 ±5	NR	St37
93110045	A	30	50	13	M 8	70 ±5	NR	St37
93110046	A	40	10	40	M 8	55 ±5	NR	St37
93110047	A	40	15	23	M 8	55 ±5	NR	St37
93110048	A	40	20	23	M 8	55 ±5	NR	St37
93110049	A	40	20	33	M 8	55 ±5	NR	St37
93110050	A	40	25	28	M10	55 ±5	NR	St37
93110051	A	40	25	23	M 8	55 ±5	NR	St37
93110052	A	40	30	23	M 8	55 ±5	NR	St37
93110053	A	40	30	23	M 8	55 ±5	NR	A/4
93110054	A	40	40	33	M10	55 ±5	NR	St37
93110055	A	40	40	23	M 8	55 ±5	NR	St37
93110056	A	40	40	23	M 8	55 ±5	NR	A/2
93110057	A	50	20	18	M10	55 ±5	NR	St37
93110058	A	50	20	18	M10	70 ±5	NR	St37
93110059	A	50	20	28	M10	55 ±5	NR	St37
93110060	A	50	20	28	M10	55 ±5	NR	St37
93110061	A	50	25	28	M10	55 ±5	NR	St37
93110062	A	50	25	37	M12	55 ±5	NR	St37
93110063	A	50	30	28	M10	55 ±5	NR	St37

ARTICLE	TYPE	D	H	I	M	SHORE A °	Material A	Material B
93110064	A	50	30	23	M8	80 ±5	NR	St37
93110065	A	50	40	28	M10	55 ±5	NR	St37
93110066	A	50	45	28	M10	55 ±5	NR	St37
93110067	A	50	50	28	M10	55 ±5	NR	St37
93110068	A	60	25	25	M10	55 ±5	NR	St37
93110069	A	60	30	28	M10	55 ±5	NR	St37
93110070	A	60	35	28	M10	55 ±5	NR	St37
93110071	A	60	40	28	M10	55 ±5	NR	St37
93110072	A	60	60	28	M10	55 ±5	NR	St37
93110073	A	70	45	28	M10	80 ±5	NR	St37
93110074	A	70	60	37	M12	55 ±5	NR	St37
93110075	A	75	25	37	M12	55 ±5	NR	St37
93110076	A	75	30	37	M12	55 ±5	NR	St37
93110077	A	75	40	37	M12	55 ±5	NR	St37
93110078	A	75	50	37	M12	55 ±5	NR	St37
93110079	A	75	55	37	M12	55 ±5	NR	St37
93110080	A	80	40	37	M14	55 ±5	NR	St37
93110081	A	80	80	41	M16	55 ±5	NR	St37
93110082	A	80	80	43	M16	55 ±5	NR	A/2
93110083	A	100	100	41	M16	55 ±5	NR	St37
93110084	A	100	40	41	M16	55 ±5	NR	St37
93110085	A	100	50	41	M16	55 ±5	NR	St37
93110086	A	100	55	41	M16	55 ±5	NR	St37
93110087	A	100	55	41	M16	70 ±5	NR	St37
93110088	A	100	55	41	M16	85 ±5	NR	St37
93110089	A	100	60	41	M16	55 ±5	NR	St37
93110090	A	100	75	41	M16	55 ±5	NR	St37
93110091	A	150	60	41	M16	55 ±5	NR	St37
93110092	A	150	75	41	M16	55 ±5	NR	St37
93110093	A	150	75	45	M20	55 ±5	NR	St37
93110094	A	200	100	45	M20	55 ±5	NR	St37