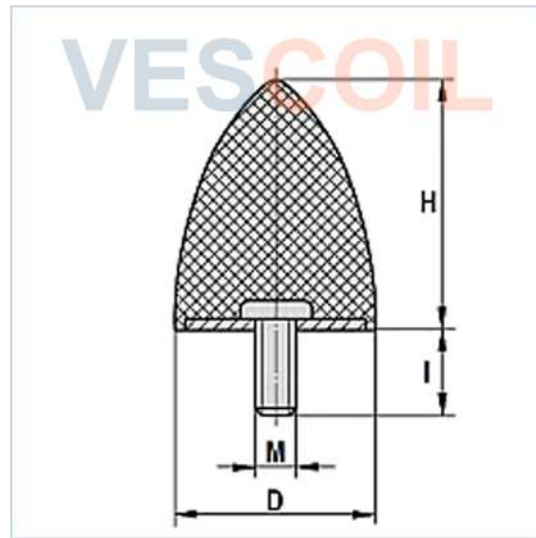


## Vibration Dampers Cylindrical Type KP-D

Fig. 9341 | VIBRATION DAMPER RUBBER METAL TYPE KP-D - PARABOLIC - NR - 40 TO 55 SHORE - D 10MM TO 118MM - H 10MM TO 89MM - M5 TO M16



### DOCUMENTATION

Fig:	9341
Norm:	ISO
Standard:	ISO 3302-1 (Rubber)
Type:	Type KP-D - Parabolic
Diameter (D):	10 mm to 118 mm
Height (H):	10 mm to 89 mm
Thread (M):	M5 to M16
Thread length (I):	10 mm to 42 mm
Hardness rubber (Shore):	40 ±5% other on request
Material rubber:	NR (Para) Natural Rubber
Material steel:	St-37 Galvanized Steel or Stainless Steel AISI 304 (A2)
Temperature:	-30°C to +80°C
Markets:	Maritime / Offshore / Industry / Energy / Petrochemical
Function:	Elastic stroke limiter / Impact cushion

Available on request:

Different Shore  
 Rubber in SBR, NBR, CR, SI or EPDM  
 Different thread lengths  
 Metal parts in stainless steel

The target values mentioned in the table above are based on a static load. At (high) dynamic and variable load or high vibration frequencies, a reduction of the maximum values must be taken into account.

D=large Ø, H=height, I=thread length, M=thread size, Mat. A=type of rubber, Mat. B=Material metal components, Shore A °=Shore-A hardness of the rubber

### MAIN DIMENSIONS

ARTICLE	TYPE	D	H	I	M	SHORE A °	Material A	Material B
93410001	KP-D	10	10	12	M5	55 ±5	NR	St37
93410002	KP-D	118	77	41	M16	55 ±5	NR	St37
93410003	KP-D	15	22	18	M6	55 ±5	NR	St37
93410004	KP-D	20	15	10	M6	55 ±5	NR	St37
93410005	KP-D	20	15	18	M6	55 ±5	NR	St37
93410006	KP-D	20	24	18	M6	55 ±5	NR	St37
93410007	KP-D	25,5	19	18	M8	55 ±5	NR	St37
93410008	KP-D	25	20	18	M6	55 ±5	NR	St37
93410009	KP-D	30	30	15	M6	55 ±5	NR	St37
93410010	KP-D	30	30	20	M8	55 ±5	NR	St37
93410011	KP-D	30	36	15	M8	55 ±5	NR	St37
93410012	KP-D	30	36	20	M8	55 ±5	NR	St37
93410013	KP-D	35	40	15	M8	55 ±5	NR	St37
93410014	KP-D	35	40	23	M8	55 ±5	NR	St37
93410015	KP-D	50	50	28	M10	55 ±5	NR	St37
93410016	KP-D	50	61	28	M10	55 ±5	NR	St37
93410017	KP-D	50	61	28	M8	55 ±5	NR	St37
93410018	KP-D	50	67	33	M8	55 ±5	NR	St37
93410019	KP-D	50	68	38	M10	55 ±5	NR	St37
93410020	KP-D	70	58	37	M12	55 ±5	NR	St37
93410021	KP-D	75	89	37	M12	55 ±5	NR	St37
93410022	KP-D	95	80	42	M16	55 ±5	NR	St37
93410023	KP-D	30	36	20	M8	40 ±5	NR	St37
93410024	KP-D	75	89	37	M12	55 ±5	NR	A/2