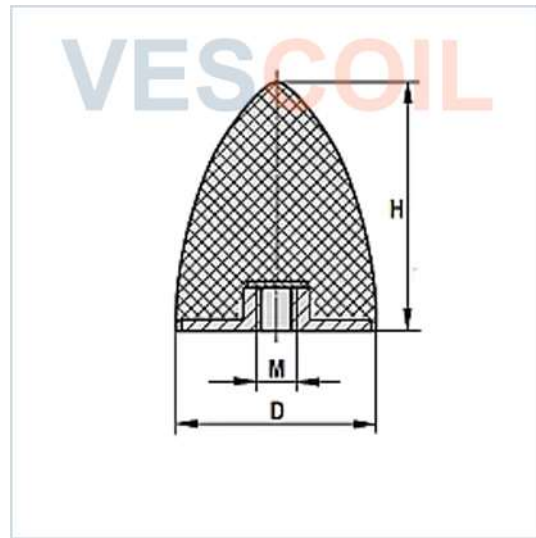


## Vibration Dampers Cylindrical Type KP-E

Fig. 9342 | VIBRATION DAMPER RUBBER METAL TYPE KP-E - PARABOLIC - NR - 55  
SHORE - D 10MM TO 118MM - H 10MM TO 89MM - M5 TO M16



### DOCUMENTATION

Fig:	9342
Norm:	ISO
Standard:	ISO 3302-1 (Rubber)
Type:	Type KP-E - Parabolic
Diameter (D):	10 mm to 118 mm
Height (H):	10 mm to 89 mm
Thread (M):	M5 to M16
Thread length (l):	
Hardness rubber (Shore):	55 ±5% other on request
Material rubber:	NR (Para) Natural Rubber
Material steel:	St-37 Galvanized Steel or Stainless Steel AISI 304 (A2)
Temperature:	-30°C to +80°C
Markets:	Maritime / Offshore / Industry / Energy / Petrochemical
Function:	Elastic stroke limiter / Impact cushion

Available on request:

Different Shore

Rubber in SBR, NBR, CR, SI or EPDM

Different thread lengths

Metal parts in stainless steel

The target values mentioned in the table above are based on a static load. At (high) dynamic and variable load or high vibration frequencies, a reduction of the maximum values must be taken into account.

D=large Ø, H=height, M=thread size, Mat. A=type of rubber, Mat. B=Material metal components, Shore A °=Shore-A hardness of the rubber

### MAIN DIMENSIONS

ARTICLE	TYPE	D	H	I	M	SHORE A °	Material A	Material B
93420001	KP-E	10	10		M 5	55 ±5	NR	St37
93420001	KP-E	15	22		M 6	55 ±5	NR	St37
93420001	KP-E	20	15		M 6	55 ±5	NR	St37
93420001	KP-E	20	24		M 6	55 ±5	NR	St37
93420001	KP-E	25	20		M 6	55 ±5	NR	St37
93420001	KP-E	30	30		M 8	55 ±5	NR	St37
93420001	KP-E	30	36		M 8	55 ±5	NR	St37
93420001	KP-E	30	36		M 8	55 ±5	NR	St37
93420001	KP-E	35	40		M 8	55 ±5	NR	St37
93420001	KP-E	50	50		M10	55 ±5	NR	St37
93420001	KP-E	50	61		M10	55 ±5	NR	St37
93420001	KP-E	50	61		M 8	55 ±5	NR	St37
93420001	KP-E	50	67		M 8	55 ±5	NR	St37
93420001	KP-E	50	67		M10	55 ±5	NR	St37
93420001	KP-E	70	58		M12	55 ±5	NR	St37
93420001	KP-E	75	89		M12	55 ±5	NR	St37
93420001	KP-E	95	80		M16	55 ±5	NR	St37