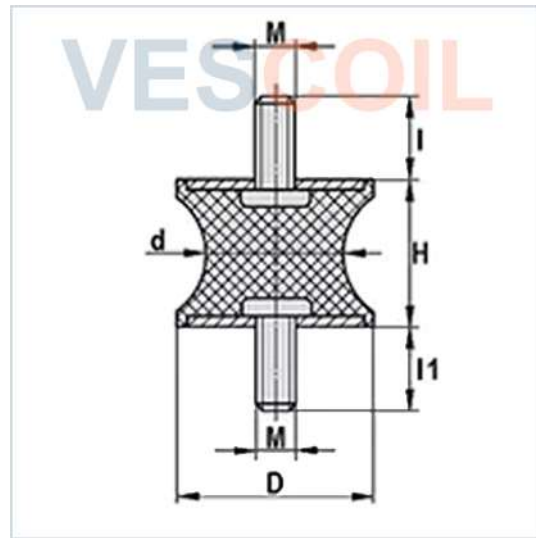


## Vibration Dampers Cylindrical Type TP-A

Fig. 9351 | VIBRATION DAMPER RUBBER METAL TYPE TP-A - WAISTED - NR - 55 SHORE  
D 10/4.5MM TO 95/80MM - H 8MM TO 75MM - M3 TO M16



### DOCUMENTATION

Fig:	9351
Norm:	ISO
Standard:	ISO 3302-1 (Rubber)
Type:	Type TP-A - Waisted
Diameter (D):	10/4.5 mm to 95/80 mm
Height (H):	8 mm to 75 mm
Thread (M):	M3 to M16
Thread length (I):	6 mm to 41 mm
Hardness rubber (Shore):	55 ±5% other on request
Material rubber:	NR (Para) Natural Rubber
Material steel:	St-37 Galvanized Steel or Stainless Steel AISI 304 (A2)
Temperature:	-30°C to +80°C
Markets:	Maritime / Offshore / Industry / Energy / Petrochemical
Function:	Subject to radial movement / Impact cushion

Available on request:

Different Shore  
 Rubber in SBR, NBR, CR, SI or EPDM  
 Different thread lengths  
 Metal parts in stainless steel

The target values mentioned in the table above are based on a static load. At (high) dynamic and variable load or high vibration frequencies, a reduction of the maximum values must be taken into account.

D=large Ø, d=waist Ø, H=height, l=thread length, l1=thread length, M=thread size, Mat. A=type of rubber, Mat. B=Material metal components, Shore A °=Shore-A hardness of the rubber

### MAIN DIMENSIONS

ARTICLE	TYPE	D	H	d	l	M	SHORE A °	Material A	Material B
93510001	TP-A	10	8	4,5	6	M 3	55 ±5	NR	St37
93510002	TP-A	10	8	4,5	10	M 4	55 ±5	NR	St37
93510003	TP-A	10	10	8	10	M 4	55 ±5	NR	St37
93510004	TP-A	15	15	12	10	M 4	55 ±5	NR	St37
93510005	TP-A	15	15	8,5	10	M 4	55 ±5	NR	St37
93510006	TP-A	20	30	12	18	M 6	55 ±5	NR	St37
93510007	TP-A	20	15	14	10	M 4	55 ±5	NR	St37
93510008	TP-A	20	19	14	18	M 6	55 ±5	NR	St37
93510009	TP-A	20	30	14	10	M 4	55 ±5	NR	St37
93510010	TP-A	25	20	18	23	M 8	55 ±5	NR	St37
93510011	TP-A	25	20	20	18	M 6	55 ±5	NR	St37
93510012	TP-A	30	25	18	15	M 6	55 ±5	NR	St37
93510013	TP-A	30	20	22	23	M 8	55 ±5	NR	St37
93510014	TP-A	30	20	25	23	M 8	55 ±5	NR	St37
93510015	TP-A	40	48	20	23	M 8	55 ±5	NR	St37
93510016	TP-A	40	30	25	20	M 8	55 ±5	NR	St37
93510017	TP-A	40	30	33	20	M 8	55 ±5	NR	St37
93510018	TP-A	50	30	42	28	M10	55 ±5	NR	St37
93510019	TP-A	55	45	44	20	M 8	55 ±5	NR	St37
93510020	TP-A	57	45	25	20	M 8	55 ±5	NR	St37
93510021	TP-A	57	45	44	28	M10	55 ±5	NR	St37
93510022	TP-A	57	44	45	28	M10	55 ±5	NR	St37
93510023	TP-A	60	60	49	28	M10	55 ±5	NR	St37
93510024	TP-A	70	53	45	28	M12	55 ±5	NR	St37
93510025	TP-A	95	75	80	41	M16	55 ±5	NR	St37