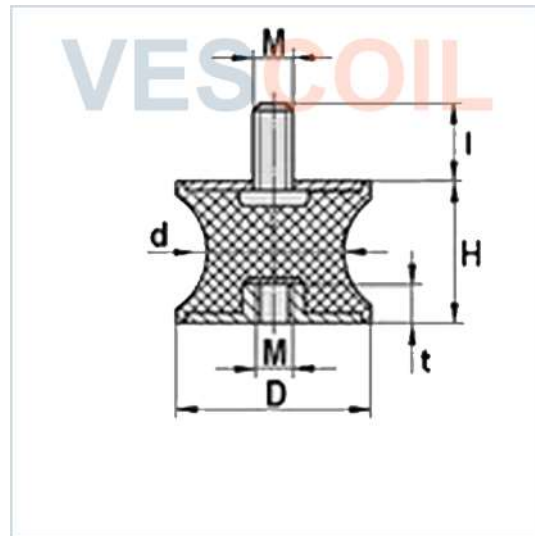


Vibration Dampers Cylindrical Type TP-B

Fig. 9352 | VIBRATION DAMPER RUBBER METAL TYPE TP-B - WAISTED - NR - 40 TO 90 SHORE - D 10/4.5MM TO 95/80MM - H 8MM TO 75MM - M3 TO M16



DOCUMENTATION

Fig:	9352
Norm:	ISO
Standard:	ISO 3302-1 (Rubber)
Type:	Type TP-B - Waisted
Diameter (D):	10/4.5 mm to 95/80 mm
Height (H):	8 mm to 75 mm
Thread (M):	M3 to M16
Thread length (l):	6 mm to 41 mm
Hardness rubber (Shore):	40 ±5% other on request
Material rubber:	NR (Para) Natural Rubber
Material steel:	St-37 Galvanized Steel or Stainless Steel AISI 304 (A2)
Temperature:	-30°C to +80°C
Markets:	Maritime / Offshore / Industry / Energy / Petrochemical
Function:	Subject to radial movement / Impact cushion

Available on request:

Different Shore
Rubber in SBR, NBR, CR, SI or EPDM
Different thread lengths
Metal parts in stainless steel

The target values mentioned in the table above are based on a static load. At (high) dynamic and variable load or high vibration frequencies, a reduction of the maximum values must be taken into account.

D=large Ø, d=waist Ø, H=height, l=thread length, M=thread size, Mat. A=type of rubber, Mat. B=Material metal components, Shore A °=Shore-A hardness of the rubber, t=depth of thread

MAIN DIMENSIONS

ARTICLE	TYPE	D	H	d	l	M	SHORE A °	Material A	Material B
93520001	TP-B	10	8	4,5	6	M 3	55 ±5	NR	St37
93520002	TP-B	10	10	8	10	M 4	55 ±5	NR	St37
93520003	TP-B	15	15	12	10	M 4	55 ±5	NR	St37
93520004	TP-B	15	15	8,5	13	M 4	55 ±5	NR	St37
93520005	TP-B	20	30	12	18	M 6	55 ±5	NR	St37
93520006	TP-B	20	15	14	10	M 4	55 ±5	NR	St37
93520007	TP-B	20	19	14	18	M 4	55 ±5	NR	St37
93520008	TP-B	20	30	14	10	M 4	55 ±5	NR	St37
93520009	TP-B	25	20	18	20	M 8	55 ±5	NR	St37
93520010	TP-B	30	25	18	15	M 6	55 ±5	NR	St37
93520011	TP-B	30	20	22	8	M 6	80 ±5	NR	St37
93520012	TP-B	30	20	22	8	M 6	90 ±5	NR	St37
93520013	TP-B	30	20	22	20	M 8	55 ±5	NR	St37
93520014	TP-B	30	20	25	23	M 8	55 ±5	NR	St37
93520015	TP-B	40	48	20	20	M 8	55 ±5	NR	St37
93520016	TP-B	40	48	20	20	M 8	40 ±5	NR	A/2
93520017	TP-B	40	30	25	23	M 8	55 ±5	NR	St37
93520018	TP-B	40	30	33	23	M 8	55 ±5	NR	St37
93520019	TP-B	46	25	40	20	M 8	55 ±5	NR	St37
93520020	TP-B	50	30	42	28	M10	55 ±5	NR	St37
93520021	TP-B	50	45	44	20	M 8	55 ±5	NR	St37
93520022	TP-B	57	44	25	28	M10	55 ±5	NR	St37
93520023	TP-B	57	45	44	28	M10	55 ±5	NR	St37
93520024	TP-B	57	44	45	28	M10	55 ±5	NR	St37
93520025	TP-B	60	60	49	28	M10	55 ±5	NR	St37

93520026	TP-B	70	53	45	28	M12	55 ±5	NR	St37
ARTICLE	TYPE	D	H	d	l	M	SHORE A °	Material A	Material B
93520027	TP-B	90	75	80	41	M16	55 ±5	NR	St37
93520028	TP-B	30	20	22	20	M 8	65 ±5	NR	St37