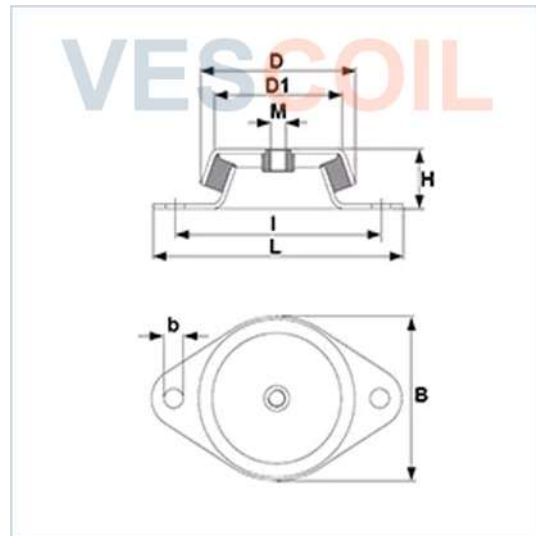


Machine Mount Captive Transit Without Fail safe

Fig. 9362 | MACHINE MOUNT CAPTIVE TRANSIT RUBBER WITH FAIL SAFE - NR - 60
SHORE - D 48MM TO 160MM - H 30MM TO 50MM - M8 TO M16



DOCUMENTATION

Fig:	9362
Norm:	ISO
Standard:	ISO 3302-1 (Rubber)
Type:	Captive Transit Mount Without Fail safe
Diameter Hood (D):	48 to 160 mm
Height (H):	23 mm to 60 mm
Thread (M):	M8 to M16
Max Load Newton:	1900 to 23000
Hardness rubber (Shore):	60 ±5% other on request
Material rubber:	NR (Para) Natural Rubber
Material steel:	St-37 Galvanized Steel DIN EN 12329
Temperature:	-40°C to +80°C
Markets:	Maritime / Offshore / Industry
Used in:	Machines which are exposed to axial and radial shocks

Available on request:

Diff. Shore hardness A 40° to A 70°

Metal parts stainless steel A2 or A4

The target values mentioned in the table above are based on a static load. At (high) dynamic and variable load or high vibration frequencies, a reduction of the maximum values must be taken into account.

B=Width, b=∅-Bore, D=∅-hood, D1=∅-hood, H=Height unloaded, L=Length, I=dimension between bore centres, Mat. A=Type of rubber, Mat. B=Material Metal parts, N=Maximal load in Newton , Shore A °=Shore A rubber hardness, Thickness=Thickness of the metal baseplate

MAIN DIMENSIONS

Article	D	D1	H	L	I	M	N	Thickness	Material A	Shore A °
93620001	48	38	23	81	68	M 8	1900	1,5	NR	60 ±5
93620002	62	50	30	106	85	M10	3900	3	NR	60 ±5
93620003	77	59	30	128	110	M10	3500	2	NR	60 ±5
93620004	92	73,5	45	128	110	M12	5800	3	NR	60 ±5
93620005	106	81	38	172	140	M12	8000	3	NR	60 ±5
93620006	120	90	50	190	160	M16	11500	5	NR	60 ±5
93620007	160	120	60	235	200	M16	23000	3	NR	60 ±5