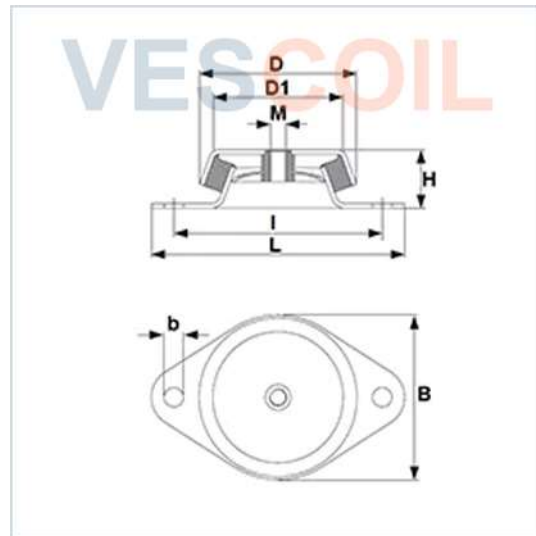


Machine Mount Captive Transit With Fail safe

Fig. 9363 | MACHINE MOUNT CAPTIVE TRANSIT RUBBER WITH FAIL SAFE - NR - 60
SHORE - D 48MM TO 160MM - H 30MM TO 50MM - M8 TO M16



DOCUMENTATION

Fig:	9363
Norm:	ISO
Standard:	ISO 3302-1 (Rubber)
Type:	Captive Transit Mount With Fail safe
Diameter Hood (D):	48 to 160 mm
Height (H):	30 mm to 50 mm
Thread (M):	M8 to M16
Max Load Newton:	2120 to 13000
Hardness rubber (Shore):	60 ±5% other on request
Material rubber:	NR (Para) Natural Rubber
Material steel:	St-37 Galvanized Steel DIN EN 12329
Temperature:	-40°C to +80°C
Markets:	Maritime / Offshore / Industry
Used in:	Machines which are exposed to axial and radial shocks

Available on request:

Diff. Shore hardness A 40° to A 70°

Metal parts stainless steel A2 or A4

The target values mentioned in the table above are based on a static load. At (high) dynamic and variable load or high vibration frequencies, a reduction of the maximum values must be taken into account.

B=Width, b=Ø-Bore, D=Ø-hood, D1=Ø-hood, H=Height unloaded, L=Length, I=dimension between bore centres, Mat. A=Type of rubber, Mat. B=Material Metal parts, N=Maximal load in Newton , Shore A °=Shore A rubber hardness, Thickness=Thickness of the metal baseplate

MAIN DIMENSIONS

Article	D	H	L	I	M	N	Thickness	Material A	Shore A °
93630001	60	31	106	81,5	M10	2120	3	NR	60 ±5
93630002	77	30	128	110	M10	2250	2	NR	60 ±5
93630003	82	35	128	110	M10	3450	3	NR	60 ±5
93630004	92	45	138	110	M12	7800	3	NR	60 ±5
93630005	106	38	172	142	M12	6000	3	NR	60 ±5
93630006	121	42	188	158	M16	7600	3	NR	60 ±5
93630007	108	50	190	160	M16	6600	5	NR	60 ±5
93630008	144	48	216	182,5	M16	13000	4	NR	60 ±5