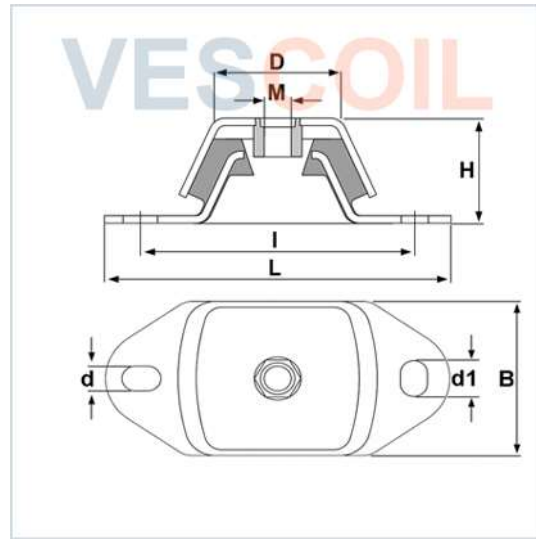


Square Machine Mount

Fig. 9365 | SQUARE MACHINE MOUNT - NR - 40 TO 70 SHORE - D 101MM TO 192MM - H 40MM TO 70MM - M12 TO M20



DOCUMENTATION

Fig:	9365
Norm:	ISO
Standard:	ISO 3302-1 (Rubber)
Type:	Square Machine Mount
Diameter Base (D):	101 to 192 mm
Height (H):	40 mm to 70 mm
Thread (M):	M12 to M20
Max Load Newton:	5.000 to 20.000 Newton
Hardness rubber (Shore):	40 ±5% other on request
Material rubber:	NR (Para) Natural Rubber
Material steel:	St-37 Galvanized Steel DIN EN 12329
Temperature:	-40°C to +80°C
Markets:	Maritime / Offshore / Industry
Used in:	Machines / Generators / Pumps / Engines

Available on request:

Diff. Shore hardness A 40° to A 70°

The target values mentioned in the table above are based on a static load. At (high) dynamic and variable load or high vibration frequencies, a reduction of the maximum values must be taken into account.

D=Ø-Base, H=Height minimal, H1=Height maximal, M=Threaded bush size (Metric), Mat. A=type of rubber, Mat. B=Material metal components, N=Maximal load per element in Newton, Shore A °=Shore-A hardness of the rubber

MAIN DIMENSIONS

Article	D	H	L	I	N	M	Thickness	A	Material A
93650001	101	40	108	88	5000	M12	3	60	NR
93650002	150	51,5	168	132	7800	M16	4	110	NR
93650003	177	63	184	150	16500	M20	4,5	125	NR
93650004	192	70	200	165	20000	M20	6	150	NR