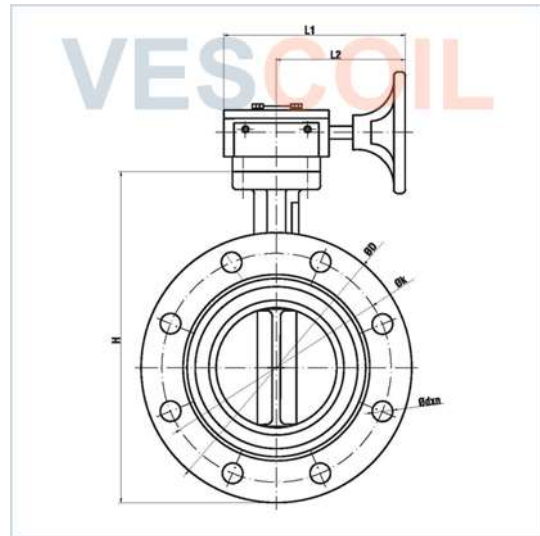


Butterfly Valve Double Flanged Type

Fig. 9121 | BUTTERFLY VALVE DOUBLE FLANGED TYPE - NBR / EPDM - PN16 - DN50 to DN500



DOCUMENTATION

Fig: 9121

Class & Approvals: On request
Norm: EN (DIN)
Standard: EN 593
Flange ends: DIN EN 1092-2
Construction: Centric butterfly valve (other on request)
Body type: Double Flanged Type
Size: DN50 to DN500 (2" to 20")
Working Pressure: PN16
Temperature: -12°C to +82°C (NBR)
Markets: Maritime / Offshore / Industry / Energy / Petrochemical
Used in: Water, Sea Water, Waste Water, Air, Oil, Gas, Etc.

Material body: Ductile/Nodular Iron - GGG40
(other materials on request)
Material stem: Stainless steel - 416
Material seat: NBR / EPDM

Material disc:	Al-Bronze (other materials on request)
Material O-ring:	NBR
Operations:	Gear box (Steel)
Optional:	Electric / Hydraulic / Pneumatic
Optional:	Open-close indicator

MAIN DIMENSIONS

DN	ØD	Øk	H	d	L	L1	L2	Ødxn	D1	D2	W	Ød1xn	Kg
50	165	125	203	99	111	208	155	18x4	90	70	11	10x4	11
65	185	145	223	118	115	208	155	18x4	90	70	11	10x4	13,5
80	200	160	245	132	117	208	155	18x8	90	70	11	10x4	14
100	220	180	269	156	130	208	155	18x8	90	70	11	10x4	17,5
125	250	210	295	184	143	208	155	18x8	90	70	14	10x4	22
150	285	240	333	211	143	208	155	23x8	90	70	14	10x4	25,5
200	340	295	375	266	155	313	237	23x12	125	102	17	12x4	39,5
250	405	355	433	319	168	313	237	26x12	125	102	22	12x4	52,5
300	460	410	503	370	182	307	225	26x12	125	102	22	12x4	67
350	520	470	589	429	194	307	225	26x16	125	102	22	12x4	91
400	580	525	640	480	221	358	254	30x16	175	140	27	18x4	141
450	640	585	720	530	227	358	254	30x20	175	140	27	18x4	182
500	715	650	785	582	234	358	254	33x20	175	140	36	18x4	200

Information can be manufacture dependent.

TECHNICAL DRAWING

