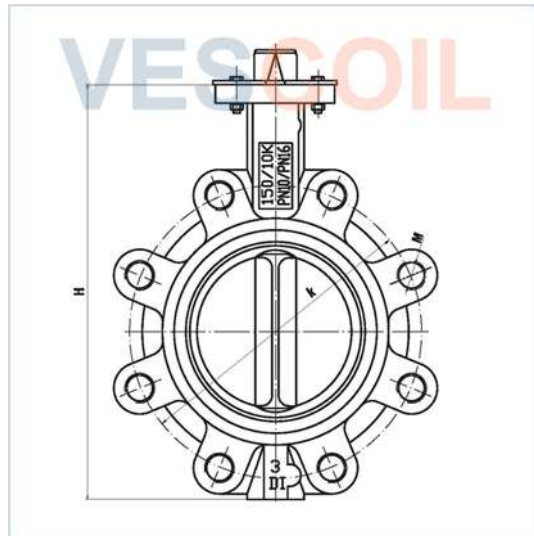


Butterfly Valve Lugged Type

Fig. 9122 | BUTTERFLY VALVE LUGGED TYPE – NBR / EPDM / VITON / PTFE / NR – PN16
– DN40 to DN600



DOCUMENTAION

Fig:	9122
Class & Approvals:	On request
Norm:	EN (DIN) / API
Standard:	EN 593 / API 609
Flange ends:	DIN EN 1092-2
Construction:	Centric butterfly valve (other on request)
Body type:	Lugged Type
Size:	DN40 to DN600 (1 1/2" to 24")
Working Pressure:	PN16
Temperature:	-12°C to +82°C (NBR) / -10°C to +110°C (EPDM)
Markets:	Maritime / Offshore / Industry / Energy / Petrochemical
Used in:	Water, Sea Water, Waste Water, Air, Oil, Gas, Etc.
Material body:	Ductile/Nodular Iron - GGG40 Cast Iron - GG25 WCB Stainless Steel - 316

Material stem:	Bronze - RG5-10
Material seat:	Stainless steel - 420
Material disc:	NBR / EPDM / VITON / PTFE / NR (wear resistant)
	Al-Bronze
	Stainless Steel - 316
	Stainless Steel - 304
Material O-ring:	NBR
Operations:	Lever (Steel/Aluminium)
Optional:	Electric / Hydraulic / Pneumatic
Optional:	Open-close indicator

MAIN DIMENSIONS

DN	H	L	D	d1	W	d	B	Øk	nxM	Øk	nxM	Øk	nxM	Øk	nxM	KG
40	198	172	50	7	9	72	35	110	4xM16	110	4xM16	95	4xM12	105	4xM16	2,3
50	198	172	50	7	9	76	46	125	4xM16	125	4xM16	105	4xM12	120	4xM16	2,8
65	218	172	50	7	9	89	49	145	4xM16	145	4xM16	130	4xM12	140	4xM16	3,4
80	233	172	50	7	9	104	49	160	8xM16	160	8xM16	145	4xM16	150	8xM16	4,5
100	270	218	70	10	11	135	55	180	8xM16	180	8xM16	165	8xM16	175	8xM16	6,2
125	303	218	70	10	14	159	59	210	8xM16	210	8xM16	200	8xM16	210	8xM20	8,3
150	340	218	70	10	14	188	59	240	8xM20	240	8xM20	230	8xM16	240	8xM20	10
200	400	322	102	12	17	238	64	295	8xM20	295	12xM20	280	8xM20	290	12xM20	18
250	470	322	102	12	22	292	72	350	12xM20	355	12xM24	345	12xM20	355	12xM22	26
300	540	230	102	12	22	344	81	400	12xM20	410	12xM24	390	12xM20	400	16xM22	43
350	610	230	125	14	22	375	81	460	16xM20	470	16xM24	435	12xM22	445	16xM22	74
400	680	230	140	18	27	440	90	515	16xM24	525	16xM27	495	16xM22	510	16xM24	118
450	740	230	140	18	27	491	109	565	20xM24	585	20xM27	555	16xM22	565	20xM24	140
500	820	230	140	18	36	535	135	620	20xM24	650	20xM30	605	20xM22	620	20xM24	179
600	1037	331	165	22	36	654	159	725	20xM30	770	20xM36	715	20xM24	730	24xM24	272

Information can be manufacture dependent.

TECHNICAL DRAWING

