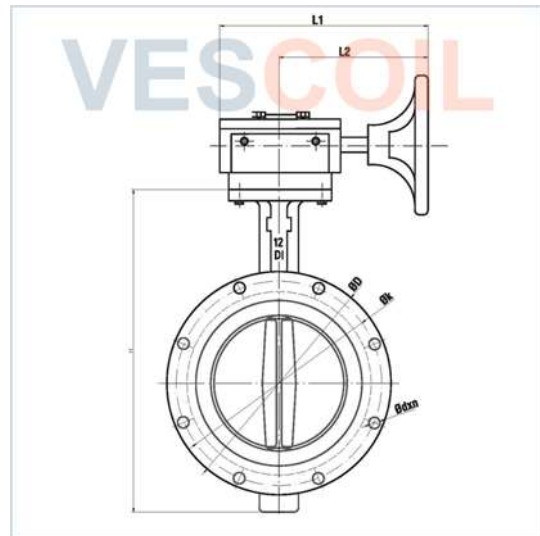


### Butterfly Valve U-Section Type

Fig. 9124 | BUTTERFLY VALVE U-SECTION TYPE - NBR / EPDM / VITON / PTFE / NR - PN16  
- DN50 to DN500



#### DOCUMENTATION

Fig:	9124
Class & Approvals:	On request
Norm:	EN (DIN)
Standard:	EN 593
Flange ends:	DIN EN 1092-2
Construction:	Centric butterfly valve (other on request)
Body type:	U-Section Type
Size:	DN50 to DN500 (2" to 20")
Working Pressure:	PN16
Temperature:	-12°C to +82°C (NBR)
Markets:	Maritime / Offshore / Industry / Energy / Petrochemical
Used in:	Water, Sea Water, Waste Water, Air, Oil, Gas, Etc.
Material body:	Ductile/Nodular Iron - GGG40 (other materials on request)
Material stem:	Stainless steel - 416
Material seat:	NBR / EPDM / VITON / PTFE / NR (wear resistant)

Material disc:	Al-Bronze (other materials on request)
Material O-ring:	NBR
Operations:	Gear box (Steel)
Optional:	Electric / Hydraulic / Pneumatic
Optional:	Open-close indicator

### MAIN DIMENSIONS

DN	ØD	Øk	H	b	B	d	L1	L2	Ødxn	D1	D2	W	ø	Ød1xn	KG
50	165	125	220	14	46	76	208	155	19x4	90	70	11	12,6	10x4	10,5
65	185	145	242	14	49	89	208	155	19x4	90	70	11	12,6	10x4	12,5
80	200	160	246	14	49	104	208	155	19x8	90	70	11	12,6	10x4	13,5
100	220	180	279	14	55	135	208	155	19x8	90	70	11	15,8	10x4	14
125	250	210	307	16	59	159	208	155	19x8	90	70	14	18,9	10x4	16
150	285	240	339	18	59	188	208	155	23x8	90	70	14	18,9	10x4	19
200	340	295	390	20	64	238	313	237	23x12	125	102	17	22,1	12x4	30
250	405	355	448	22	72	292	313	237	28x12	125	102	22	28,5	12x4	41
300	460	410	532	22	81	344	307	225	28x12	125	102	22	31,6	12x4	61
350	520	470	709	24	81	375	307	225	28x16	150	125	22	31,6	14x4	93
400	580	525	709	24	90	440	358	254	31x16	175	140	27	xxx	18x4	169
450	640	585	750	30	109	491	358	254	31x20	175	140	27	42,9	18x4	208
500	715	650	841	32	135	535	358	254	34x20	175	140	36	45,7	18x4	215

*Information can be manufacture dependent.*

TECHNICAL DRAWING

