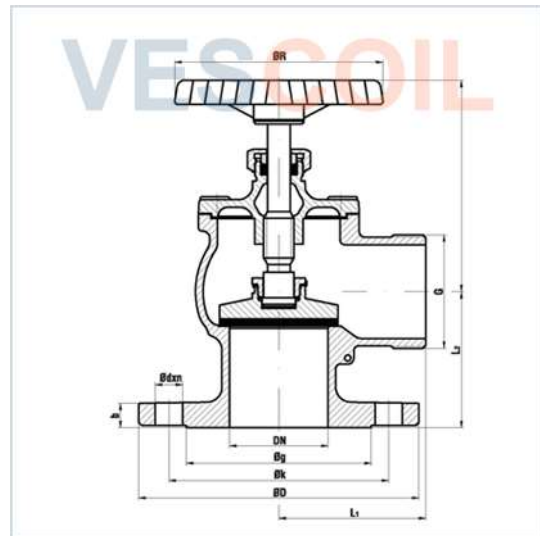


Fire Fighting Hydrant Valve Angled

Fig. 9131 | FIRE FIGHTING HYDRANT VALVE DECK WASH ANGLED FLANGED - BRONZE
PN10 / PN16 - DN40 to DN65



DOCUMENTATION

Fig:	9131
Class & Approvals:	On request
Norm:	EN (DIN)
Construction:	Angled 90°Angle
Size:	DN40 to DN65 (1 1/2" up to 2 1/2")
Working Pressure:	PN10 / PN16
Temperature:	-10°C to +120°C
Connection 1:	Flanged
Connection 2:	Storz coupling (other on request)
Cam distance:	See overview
Sealing:	EPDM
Markets:	Maritime / Offshore / Industry / Energy / Petrochemical
Used in:	Water
Material body:	Bronze - RG5
Material disc:	Bronze - RG5
Material bonnet :	Bronze - RG5

Material stem: Brass - CuZn39Pb3/MS58
 Material gasket: Klingerit
 Material Packing: Graphite
 Material wheel: Cast Iron - GG25

MAIN DIMENSIONS

DN	ØD	Øk	Øg	b	Ødxn	L1	L2	H	ØR	G	KG
40	150	110	88	18	18x4	75	65	130	110	R 1 1/2"	5
50	165	125	102	20	18x4	75	75	140	140	R 2"	6,4
65	185	145	122	20	18x4	95	90	160	140	R 2 1/2"	8,2

Information can be manufacture dependent.

Cam distance		Connection
31 mm	x	1"
44 mm	x	1 1/4"
52 mm	x	1 1/2"
66 mm	x	1 1/2"
66 mm	x	2"
81 mm	x	2"
81 mm	x	2 1/2"
81 mm	x	3"
89 mm	x	2 1/2"
89 mm	x	3"
115 mm	x	4"
133 mm	x	4"

TECHNICAL DRAWING

