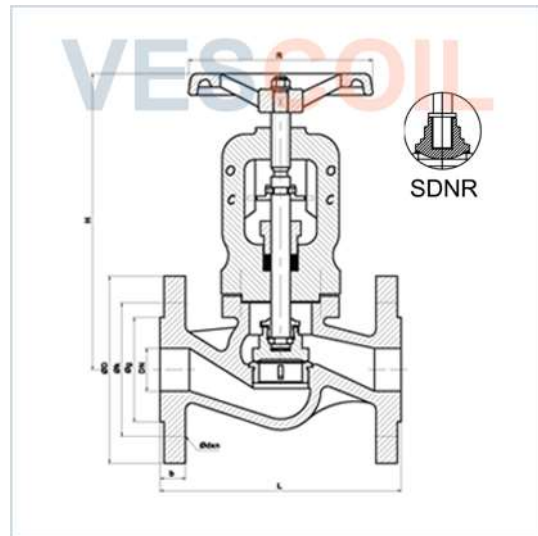


Globe Valve Straight SDNR (Screw Down Non Return)

Fig. 9142 | GLOBE VALVE STRAIGHT FLANGED SDNR - KLINGERIT - PN16 / PN25 / PN40 - DN15 to DN400



DOCUMENTATION

Fig:	9142
Class & Approvals:	On request
Norm:	EN (DIN)
Face to Face:	TS EN 558-1
Flange ends:	DIN EN 1092-2
Pressure & Temp. diagram	DIN 2401
Construction:	Straight SDNR
Size:	DN15 to DN400 (1/2" to 16")
Working Pressure:	PN16 / PN25 / PN40
Temperature:	-10°C to +220°C
Type of disc:	Screw Down Non Return
Type of bonnet:	Bolted
Markets:	Maritime / Offshore / Industry / Energy / Petrochemical
Used in:	Sea Water, Fresh Water, Oil And Steam Up To 220°C Systems
Material body:	Ductile/Nodular Iron - GGG40.3 Cast Iron - GG25

Material stem:	Stainless Steel - CF8 Stainless Steel - CF8M Bronze - RG5-10 Stainless steel - 420 Brass - CuZn39Pb3/MS58
Material gasket:	Klingerit
Material disc:	Bronze - RG5 Stainless steel - 420
Material seat:	Alu Bronze Stainless steel - 420
Material bonnet:	Ductile/Nodular Iron - GGG40.3 Cast Iron - GG25 Stainless Steel - CF8 Stainless Steel - CF8M Bronze - RG5-10
Material Packing:	Graphite
Material wheel:	Cast Iron - GG25
Operations:	Hand wheel, rising with rising stem
Indicator:	With open-close indicator

MAIN DIMENSIONS

DN	ØD	Øk	Øg	L	b	ØR	H	STROK	Ødxn	KG
15	95	65	45	130	14	110	215	9	14x4	4,7
20	105	75	58	150	16	110	215	9	14x4	5,5
25	115	85	68	160	16	110	218	12	14x4	6,6
32	140	100	78	180	18	140	220	13	18x4	8,4
40	150	110	88	200	18	140	245	15	18x4	11,1
50	165	125	102	230	20	160	252	20	18x4	14,5
65	185	145	122	290	20	160	280	22	18x4	19,5
80	200	160	138	310	22	200	310	25	18x8	24,5
100	220	180	158	350	24	220	360	30	18x8	36,7
125	250	210	188	400	26	250	420	34	18x8	55
150	285	240	212	480	26	300	498	42	22x8	77,5
200	340	295	268	600	30	400	550	55	22x12	140
250	405	355	320	730	32	500	585	65	26x12	200
300	460	410	370	850	32	500	640	78	26x12	250
350	520	470	430	980	36	500	875	100	26x16	385
400	580	525	482	1100	38	500	955	115	29,5x16	408

Information can be manufacture dependent.

TECHNICAL DRAWING

