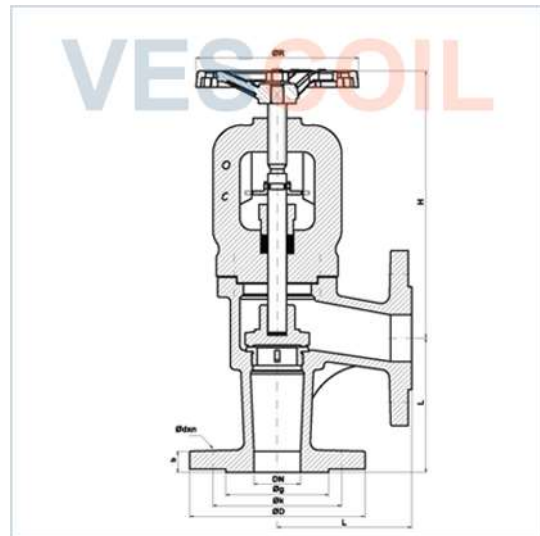


Globe Valve Angled Fixed Disc

Fig. 9145 | GLOBE VALVE ANGLED FLANGED FIXED DISC - KLINGERIT - PN16 / PN25 / PN40 - DN15 to DN400



DOCUMENTATION

Fig:	9145
Class & Approvals:	On request
Norm:	EN (DIN)
Face to Face:	TS EN 558-1
Flange ends:	DIN EN 1092-2
Pressure & Temp. diagram	DIN 2401
Construction:	Angled
Size:	DN15 to DN400 (1/2" to 16")
Working Pressure:	PN16 / PN25 / PN40
Temperature:	-10°C to +220°C
Type of disc:	Fixed Disc
Type of bonnet:	Bolted
Markets:	Maritime / Offshore / Industry / Energy / Petrochemical
Used in:	Sea Water, Fresh Water, Oil And Steam Up To 220°C Systems
Material body:	Ductile/Nodular Iron - GGG40.3 Cast Iron - GG25

Material stem:	Stainless Steel - CF8 Stainless Steel - CF8M Bronze - RG5-10 Stainless steel - 420 Brass - CuZn39Pb3/MS58
Material gasket:	Klingerit
Material disc:	Bronze - RG5 Stainless steel - 420
Material seat:	Alu Bronze Stainless steel - 420
Material bonnet:	Ductile/Nodular Iron - GGG40.3 Cast Iron - GG25 Stainless Steel - CF8 Stainless Steel - CF8M Bronze - RG5-10
Material Packing:	Graphite
Material wheel:	Cast Iron - GG25
Operations:	Hand wheel, rising with rising stem
Indicator:	With open-close indicator

MAIN DIMENSIONS

DN	ØD	Øk	Øg	L	b	ØR	H	STROK	Odxn	KG
15	95	65	45	90	14	110	190	9	14x4	4,85
20	105	75	58	95	16	110	190	9	14x4	5,5
25	115	85	68	100	16	110	200	12	14x4	6,5
32	140	100	78	105	18	140	200	13	18x4	8,25
40	150	110	88	115	18	140	230	15	18x4	10,5
50	165	125	102	125	20	160	235	20	18x4	13,5
65	185	145	122	145	20	160	260	22	18x4	18
80	200	160	138	155	22	200	280	25	18x8	23
100	220	180	158	175	24	220	330	30	18x8	36
125	250	210	188	200	26	250	340	34	18x8	54
150	285	240	212	225	26	300	405	42	22x8	72
200	340	295	268	275	30	400	440	55	22x12	116
250	405	355	320	325	32	500	510	65	26x12	169
300	460	410	370	375	32	500	575	78	26x12	240
350	520	470	430	425	36	500	775	100	26x16	325
400	580	525	482	475	38	500	840	115	29,5x16	394

Information can be manufacture dependent.

