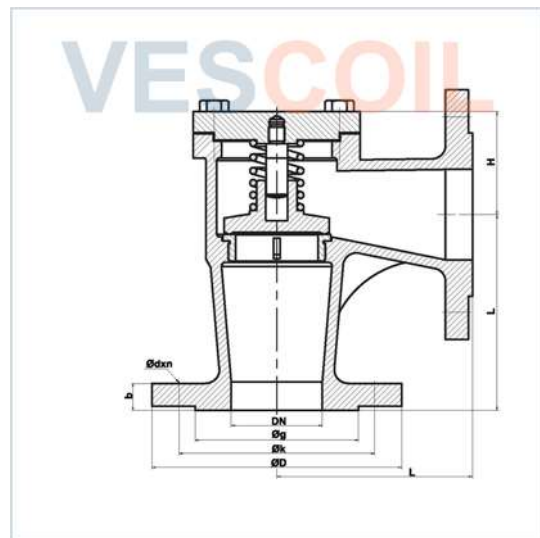


Check Valve (NRV) Angle Lift

Fig. 9161 | CHECK VALVE (NON RETURN VALVE) FLANGED ANGLED LIFT - KLINGERIT - PN16 - DN15 to DN400



DOCUMENTATION

Fig:	9161
Class & Approvals:	On request
Norm:	EN (DIN)
Face to Face:	TS EN 558-1
Flange ends:	DIN EN 1092-2
Pressure & Temp. diagram	DIN 2401
Construction:	Angled
Size:	DN15 to DN400 (1/2" to 16")
Working Pressure:	PN16
Temperature:	-10°C to +220°C
Markets:	Maritime / Offshore / Industry / Energy / Petrochemical
Used in:	Sea Water, Fresh Water, Oil And Steam Up To 220°C Systems
Material body:	Ductile/Nodular Iron - GGG40.3 Cast Iron - GG25
Material stem:	Stainless steel - 420 Brass - CuZn39Pb3/MS58

Material gasket:	Klingerit
Material disc:	Bronze - RG5 Stainless steel - 420
Material seat:	Alu Bronze Stainless steel - 420
Material bonnet:	Ductile/Nodular Iron - GGG40.3
Material Spring:	Stainless steel - 304

MAIN DIMENSIONS

DN	ØD	Øk	Øg	L	b	H	STROK	Ødxn	KG
15	95	65	45	90	14	50	9	14x4	3,5
20	105	75	58	95	16	50	9	14x4	4
25	115	85	68	100	16	54	12	14x4	5
32	140	100	78	105	18	57	13	18x4	8
40	150	110	88	115	18	69	15	18x4	9
50	165	125	102	125	20	71	20	18x4	12
65	185	145	122	145	20	77	22	18x4	16
80	200	160	138	155	22	86	25	18x8	20
100	220	180	158	175	24	110	30	18x8	31
125	250	210	188	200	26	94	34	18x8	42
150	285	240	212	225	26	129	42	22x8	54
200	340	295	268	275	30	155	55	22x12	85
250	405	355	320	325	32	166	65	26x12	140
300	460	410	370	375	32	202	78	26x12	220
350	520	470	430	425	36	252	100	26x16	306
400	580	525	482	475	38	281	115	29,5x16	466

Information can be manufacture dependent.

TECHNICAL DRAWING

