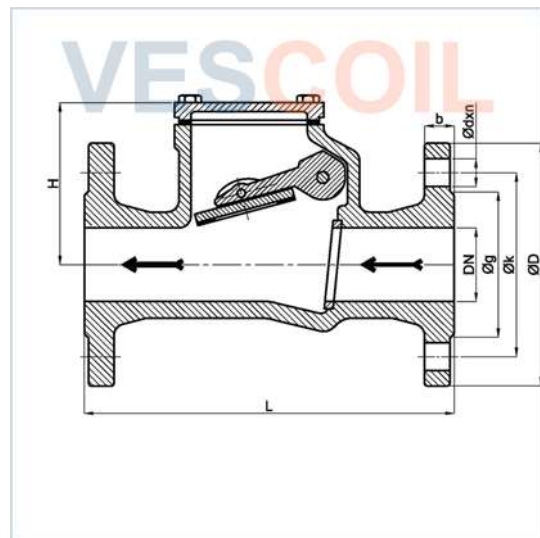


### Check Valve (NRV) Straight Swing

Fig. 9163 | CHECK VALVE (NON RETURN VALVE) FLANGED STRAIGHT SWING - NBR / EPDM - PN16 - DN50-DN150



#### DOCUMENTATION

Fig:	9163
Class & Approvals:	On request
Norm:	EN (DIN)
Face to Face:	TS EN 558-1
Flange ends:	DIN EN 1092-2
Testing standard:	TS EN 12266-1
Construction:	Straight
Size:	DN50 to DN150 (2" to 6")
Working Pressure:	PN16
Temperature:	-10°C to +220°C
Markets:	Maritime / Offshore / Industry / Energy / Petrochemical
Used in:	Hot and cold water systems Liquid fuel installation Fluid excluding acid & non flammable fluids
Material body:	Cast Iron - GG25
Material stem:	Stainless steel

Material gasket:	NBR / EPDM
Material wedge:	Cast Iron - GG25/NBR
Material seat:	Bronze Brass
Material bonnet:	Cast Iron - GG25

### MAIN DIMENSIONS

DN	L	H	ØD	Øk	Øg	b	Ødxn	KG
50	400	105	165	125	99	20	19x4	12
65	200	135	185	145	118	20	19x4	18
80	240	145	200	160	132	22	19x8	21
100	260	175	220	180	156	24	19x8	28
125	300	210	250	210	184	26	19x8	46
150	350	215	285	240	211	26	23x8	61

*Information can be manufacture dependent.*

TECHNICAL DRAWING

